

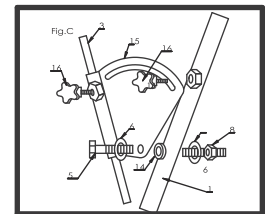
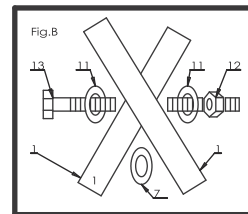
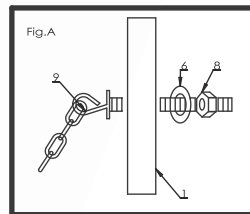
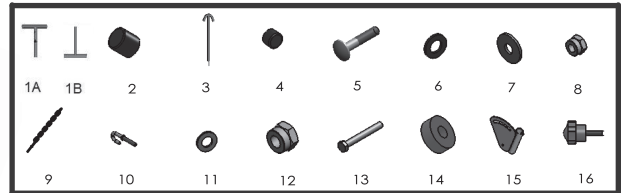
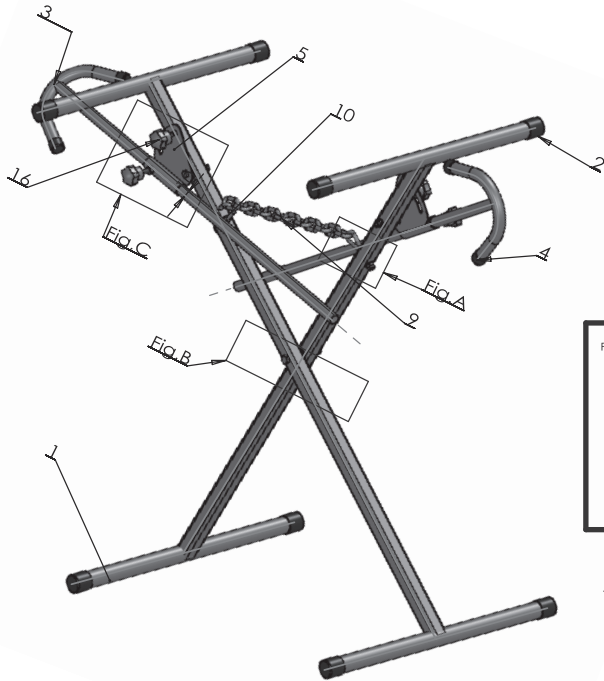
Model:

C-500

Product Type:

CROSS STAND WHITE

PARTS BREAKDOWN



ASSEMBLY INSTRUCTIONS

Caution: Please Use Extreme Caution During Assembly To Prevent Personal Injury, As Metal Edges May Be Sharp.

1. Insert #1A Upper Frame Section into #1B Lower Frame Section while assuring that the upper and lower frame mounting holes are properly aligned. Repeat assembly with second #1A Upper and #1B Lower Frame Sections.
2. Lay both frame assemblies on floor side by side in an X position while assuring that the welded nuts on the #1A Upper Frame Sections are facing outward and opposite each other.
3. Align mounting holes in frame assemblies and assemble the frame with #13 Bolt, (2)#11Washers, #7 Large Washer, and #12 Lock Nut as shown in Fig. B. Add #11 Washer onto #13 Bolt, slide #13 Bolt through first frame assembly, add #7 Large Washer onto #13 Bolt, slide #13 Bolt through second frame assembly, add #11 Washer and #12 Lock Nut and tighten securely.
4. Raise assembled frame to maximum height in upright position and secure in place to complete assembly.
5. Assemble #9 Eye Bolt with Chain to #1A Upper Frame Section with #6 Washer and #8 Lock Nut as shown in Fig. A and tighten securely. Assure that the #9 Eye Bolt with Chain is facing inward with eye bolt open end facing upward.
6. Assemble #10 Eye Hook to opposite #1A Upper Frame Section the same as #9 Eye Bolt with Chain. Attach chain to #10 Eye Hook to preferred stand height.
7. Assemble #15 Extension Bar Bracket to #1A Upper Frame Section with #5 Bolt, (2)#6 Washers, #14 Nylon Bushing, #16 Knob, and #8 Lock Nut as shown in Fig. C. Add #6 Washer onto #5 Bolt, slide #5 Bolt through hole on #15 Extension Bar Bracket, add #14 Nylon Bushing onto #5 Bolt, slide #5 Bolt through #1A Upper Frame Section, add #6 Washer and #8 Lock Nut and tighten securely. Slide #16 Knob through the slot on #15 Extension Bar Bracket and screw into the welded nut on the #1A Upper Frame Section. Repeat assembly with second #15 Extension Bar Bracket.
8. Slide #3 Extension Bars into tubes on #15 Extension Bar Brackets and screw #16 Knobs into the welded nuts on the #15 Extension Bar Brackets.

Index No.	Part No.	Description	Q'ty
1A, 1B	C-500-1A-1B	Upper and Lower Frame Sections	4
2	C-500-02	Ø32 Rubber Cover	8
3	C-500-03	Extension Bar	2
4	C-500-04	Ø22 Rubber Cover	4
5	C-500-05	Bolt M8 x 55	2
6	C-500-06	Washer Ø8	6
7	C-500-07	Large Washer Ø8 x 29 x 3	1
8	C-500-08	Lock Nut M8	4

Index No.	Part No.	Description	Q'ty
9	C-500-09	Eye Bolt with Chain	1
10	C-500-10	Eye Hook	1
11	C-500-11	Washer Ø8	2
12	C-500-12	M8 Lock Nut	1
13	C-500-13	Bolt M8 x 80	1
14	C-500-14	Nylon Bushing	2
15	C-500-15	Extension Bar Bracket	2
16	C-500-16	Knob	4